



# melett

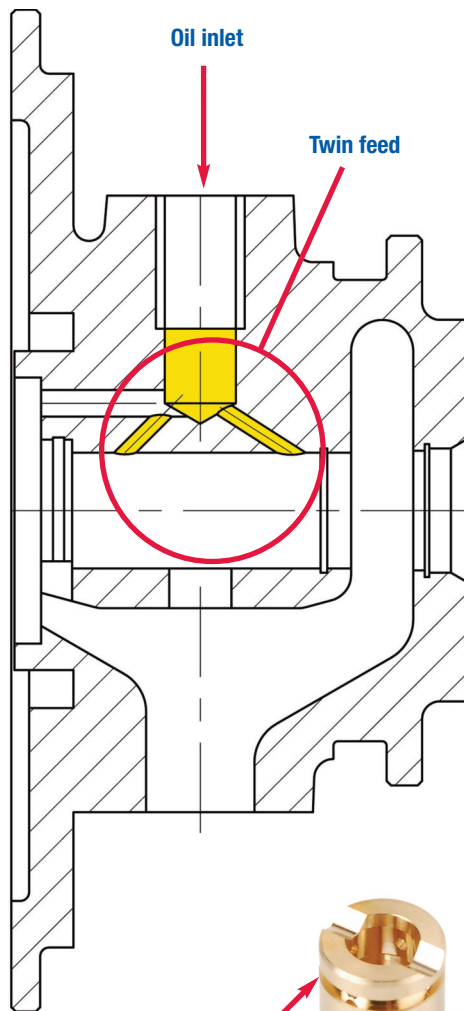
QUALITY REPLACEMENT TURBOCHARGER PARTS

## COMPONENT VARIATIONS ④

### TWIN FEED & SINGLE FEED BEARING HOUSING VARIATIONS

Melett Example: Borg Warner – K03-04 / BV43/50

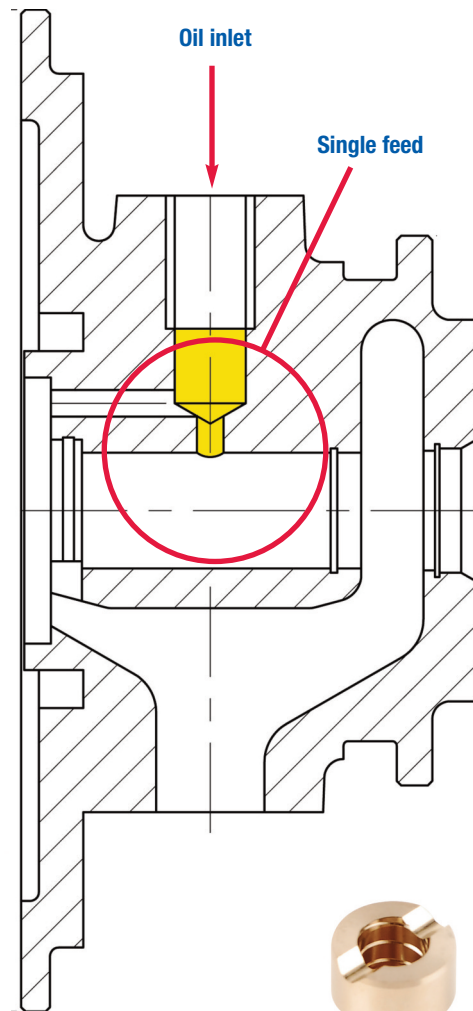
#### Twin Feed



Oil grooves

1302-003-100

#### Single Feed



Oil hole

1302-004-100

**Please note:** Before repair please ensure you have the right journal bearing for the bearing housing - failure will occur if they are mixed.

For further information on this or other topics, please contact Melett Technical Support. [technical@melett.com](mailto:technical@melett.com)

Copyright © 2014 Melett. All rights reserved. The Melett Logo and Melett® are registered trademarks or trademarks of Melett Limited.